

INSTALLATION INSTRUCTIONS
SUZUKI BOULEVARD C109R
2008 TO 2010
MODEL # 526 & S526

Item description	Qty
10 x 65mm Hex Spool Bolt Assembly	4
10mm Lock Nuts	4
22 x 10 x 5mm Black Plastic Spacers	4
Support Bracket Hardware	
Support brackets	2
16 x 28 x 5mm Aluminum Spacer	4
10/32 x 2" Flat Head Screws	4
10/32 Locknuts	4
1 1/2" Bumpers	4
Silicone Lubricant	1

Saddlebag Installation

1. Assembly support bracket as shown in figure 2.
2. Remove fender strut bolts from left side of the bike.
3. Line up the bolt holes in the assembled support bracket on the underside of fender.
4. Replace the original strut bolts with 10 x 65 mm hex spool bolts and (1) 22 x 10 x 5 mm black plastic spacer on both the front and rear holes. Secure hex spool bolts with 10mm locknuts. See figure 1.
5. Repeat procedure on the right side of bike.

6. Mount saddlebags over spools on fender brace and secure with clips retained inside bags. Tighten all mounting bolts. Inspect each clip to verify each clip is properly seated in retaining groove. See View "A".

**** NOTE:** due to tire variations and brands, be sure that the bolt assembly is not obstructing the tire (On the underside of fender).

*****Note:** *Bags will be easier to mount and remove if a small amount of silicone lubrication is applied to rubber mounting points.*

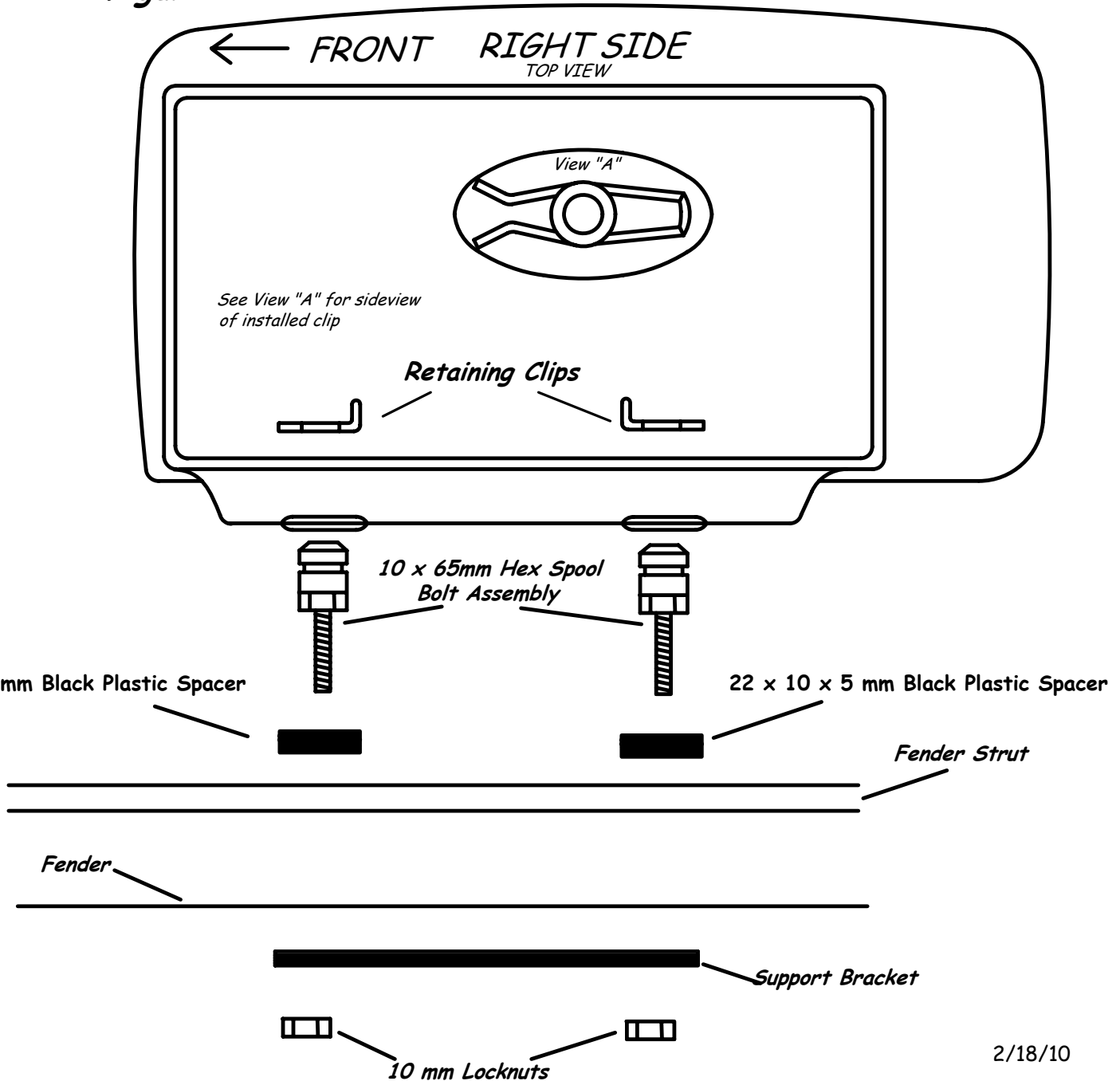
SADDLEBAG CARE INSTRUCTIONS

- Do not exceed 20 lbs. per saddlebag this includes sitting or standing on bags, it is a common occurrence for a non-rider to attempt to sit on bags, this also may void warranty.
- Periodically, apply a small amount of silicone lubrication to rubber mounting points. Saddlebags will be easier to mount and remove.
- Remove grease, oil or mud with mild detergent and water. For fast touch-up, *Windex or Turtle Wax F-21* will restore original luster. The use of any other chemicals may discolor the saddlebags.
- Whenever possible, release locks on saddlebag lids to allow the gaskets to expand during storage.

- If you use bags to ice down drinks, later remove bags, drain water and blot up excess water. The foam interior lining is closed-cell foam and does not retain water. Leave lids open until interiors are dry.
- Use white *Scotch Brite* scour pad (ultra-fine, only) to remove scratches & shiny spots and restore luster. This can be purchased at an automotive supply store.
- When locking or unlocking saddlebags, place one hand on top of bag near lock and apply a moderate amount of pressure while turning the key. This compresses the weather-seal enabling the locking mechanism to turn freely.
- Always inspect to verify each of the saddlebag mounting clips on inside of bag is properly installed when mounting bags. Clips fit into groove on mounting spool. Failure to perform this correctly can cause severe damage and may void warranty.

Installation Instructions Suzuki Boulevard C109R Model # 526 & S526

Figure 1



Suzuki C109R

Model # 526 & S526

Figure 2

